

PLEASE CHECK WWW.MOLEX.COM FOR LATEST PART INFORMATION

Part Number: [73251-0420](#)
Status: **Active**
Overview: [SMA RF Connectors](#)
Description: 50 Ohms, SMA Flange - Two Hole - Jack Receptacle -Candlestick

Documents:

[Drawing \(PDF\)](#) [RoHS Certificate of Compliance \(PDF\)](#)

General

| | |
|-----------------|-----------------------------------|
| Product Family | RF/Coax Connectors |
| Series | 73251 |
| Overview | SMA RF Connectors |
| Product Name | SMA |
| UPC | 756054714935 |
| Wire/Cable Type | N/A |

Physical

| | |
|-----------------------|----------|
| Gender | Jack |
| Keying to Mating Part | None |
| Net Weight | 2.260/g |
| Orientation | Straight |
| PCB Mounting | N/A |
| Packaging Type | Tray |
| Panel Mount | Yes |
| Panel Mount Method | Flange |
| Reverse Polar | No |

Electrical

| | |
|-----------|-----|
| Impedance | 50# |
|-----------|-----|

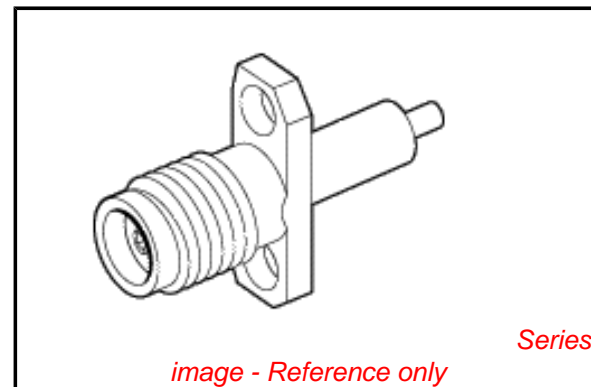
Solder Process Data

| | |
|--|------------------------------|
| Duration at Max. Process Temperature (seconds) | 10 |
| Lead-free Process Capability | SMC & Wave Capable (TH only) |
| Max. Cycles at Max. Process Temperature | 2 |
| Process Temperature max. C | 260 |

Material Info

Reference - Drawing Numbers

| | |
|---------------|--------------|
| Sales Drawing | SD-73251-042 |
|---------------|--------------|



EU RoHS

RoHS Compliant RF Product

REACH SVHC

Not Reviewed

Low-Halogen Status

Not Reviewed

China RoHS



Pb

Need more information on product environmental compliance?

Email productcompliance@molex.com
 For a multiple part number RoHS Certificate of Compliance, [click here](#)

Please visit the [Contact Us](#) section for any non-product compliance questions.

Search Parts in this Series

[73251Series](#)